

**TAIYO**

# VHF ADDF

**MODEL TD-L1550A**

*Compact VHF Automatic Digital Direction Finder*



## GENERAL DESCRIPTION

TD-L1550A is designed for direction finding and receiving International VHF channels, U.S. Weather Channels or Scandinavian Fishing Channels, and 121.5 MHz distress frequency with its compact main unit.

This model provides a unique homing indicator as well as digital readout.

Homing indicator is consist of 18 LEDs, and digital readouts are in one degree increments.

The digital display shows the bearing, the channel and gives a reading of the signal strength on a level meter as a measure of distance.

Upon request, TD-L1550A with data output facility (NMEA0183 format) is available.

**TAIYO MUSEN CO., LTD.**



## FEATURES

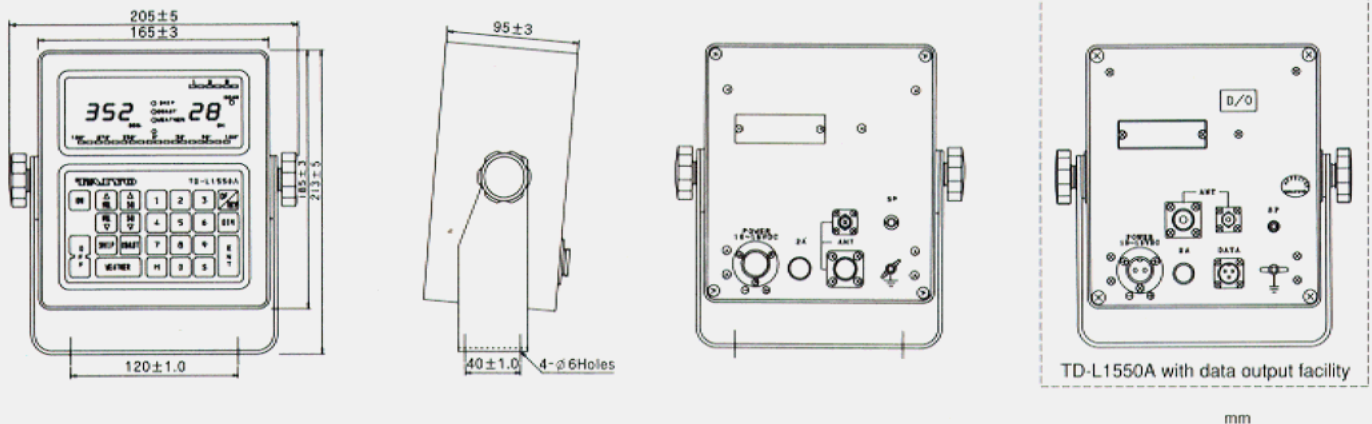
- Digital display of selected international channels and U.S. Weather Channels or Scandinavian Fishing VHF Channels and 121.5 MHz distress frequency
- Scanning with instant lock function for 100 channels in 10 groups
- Homing indicator for easy cruising
- Synthesized double-super heterodyne receiving system
- Very compact in size, durable and easy-to-use

## SPECIFICATIONS

<b>Indicators</b>	Digital bearing : 1° increments	<b>Selectivity</b>	More than $\pm 5$ kHz at 6dB Less than $\pm 12.5$ kHz at 40 dB
<b>Receiving Circuit System</b>	Synthesizer	<b>Image Rejection Ratio</b>	Greater than 40 dB
<b>Receiving System</b>	Double super heterodyne	<b>Squelch Sensitivity</b>	1 $\mu$ V
<b>Frequency Range</b>	International VHF channel	<b>Audio Output</b>	2 W
	Ship to ship : 01 - 28 60 - 88	<b>Power Supply</b>	DC 10 - 16 V 1.0 A
	Ship to coast : 01 - 28 60 - 88	<b>Freezing Memory</b>	Available
	U.S. Weather channels (W1), (W2), (W3), (W4)	<b>Antenna</b>	H type Adcock antenna, Type : EA-351A
	Distress frequency 121.5 MHz	<b>Antenna Cable</b>	Coaxial cable RG 58 A/U twin type 1 pair standard 10 m
<b>Scanning Reception</b>	100 channels	<b>Dimension and Weight of main unit</b>	185 (H) x 165 (W) x 95 (D) mm 2.7 kg
<b>Reception Waveform</b>	F3E	<b>Dimension and Weight of Adcock Antenna</b>	930 (H) x 410 (W) x 410 (D) mm 3 kg 36.61"(H) x 16.14"(W) x 16.14"(D) 6.61 lbs
<b>Sensitivity</b>	For DF : Minimum field strength 1 $\mu$ V/m For RCV : 12 dB SINAD 0.5 $\mu$ V		

FCC Type Acceptance No. : BAA9JKTD-L1550A

## OUTSIDE VIEW



\* Specifications and design subject to change without notice for future improvement.

PLEASE CONTACT

**TAIYO MUSEN CO., LTD.**

20-7, 2-Chome, Ebisu-Nishi, Shibuya-ku Tokyo JAPAN 150-0021

TEL : 81-3-3780-3225

FAX : 81-3-3496-3677

URL : <http://www.taiyomusen.co.jp>