

VHF Automatic Digital Direction Finder

TD-L1630



- ◆ Frequency range, 100 MHz ~ 169.999MHz
- ◆ Digital display of bearing data in 1° step, memory channel and frequency
- ◆ Ring LED display of relative bearing data with 36 LEDs in 10° step
- ◆ 4 modes of reception, Manual / Search / Spot / Scan
- ◆ Memory up to 30 frequencies for spot and scan reception
- ◆ Data hold and automatic restart in search and scan reception
- ◆ One-touch button operation for 121.5MHz and CH16
- ◆ Compact and user-friendly

VHF ADDF Model TD-L1630

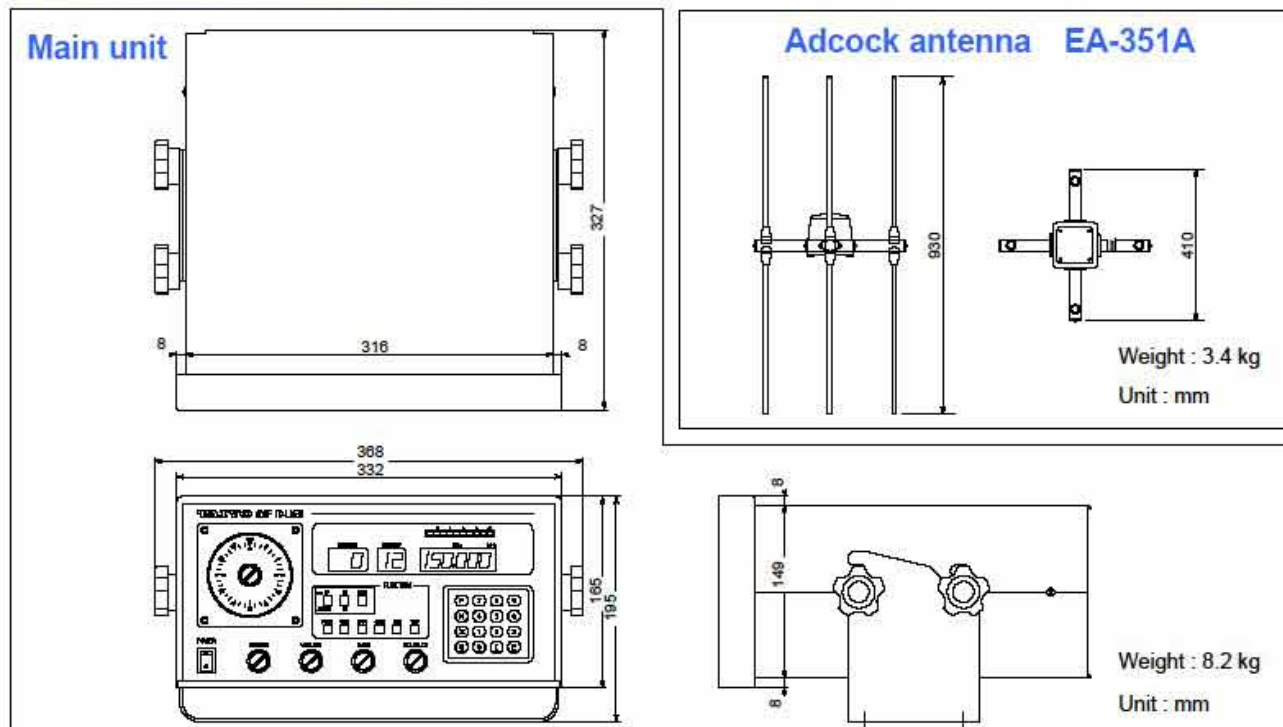
VHF Automatic Digital Direction Finder TD-L1630 is the succeeding model of TD-L1620A adding the following functions with suitable structure for Flush Mount.

- User friendly operation panel - Single purpose switches are applied for function keys.
- One-touch reception of 121.5MHz and 16 CH by individual push button.
- Data output port (NMEA 0183, bearing data) is provided.

Specifications

Receiving circuit	Synthesized Triple-superheterodyne
Bearing indicators	Digital, LCD 1° step Circle LED, 10° step
Frequency range	110 ~ 169.995 MHz, 5 kHz step
Receiving wave form	AM or FM
Spot reception	30 frequencies in memory channels
One-touch reception	121.5 MHz and 16 CH (individual push button)
Bearing accuracy	TD-L1630 Main unit: Better than $\pm 3^\circ$ (with Adcock antenna EA-351A: Estimated accuracy is better than $\pm 5^\circ$)
Sensitivity	Minimum field strength 0.5 μ V/m in DF mode; 20dB QS 2 μ V in RCV mode
Selectivity	± 6 kHz or more at -6 dB ± 12 kHz or less at -60 dB
Image rejection ratio	60 dB or more
Scanning reception	Scanning max. 10 frequencies/group x 3 groups (memory channel group)
Search reception	Fc (center frequency) ± 500 kHz, 5 kHz step (Selectable any frequency within 110 ~ 169.995 MHz)
Data output	NMEA0183 (bearing data)
Audio output	1.8 W (impedance 4 Ω)
Input voltage	11 ~ 35 VDC
Antenna	H type Adcock antenna EA-351A
Antenna cable	Armored twin coaxial cable Standard: RG-58AU (16m) Option: 5D-2V (17 ~ 29m), 8D-2V (30 ~ 50m)

Outside view & Dimension



* The above descriptions subject to change without notice.

TAIYO MUSEN CO., LTD.

2-11-18, Higashi-Kojiya, Ota-ku, Tokyo 144-0033 JAPAN
 TEL: 81-3-5735-1243
 FAX: 81-3-5735-1683
 URL: <http://www.taiyomusen.co.jp>



PLEASE CONTACT

Printed in Japan 2KH171A